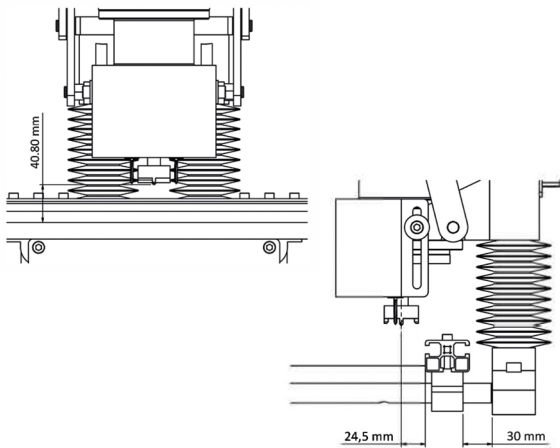
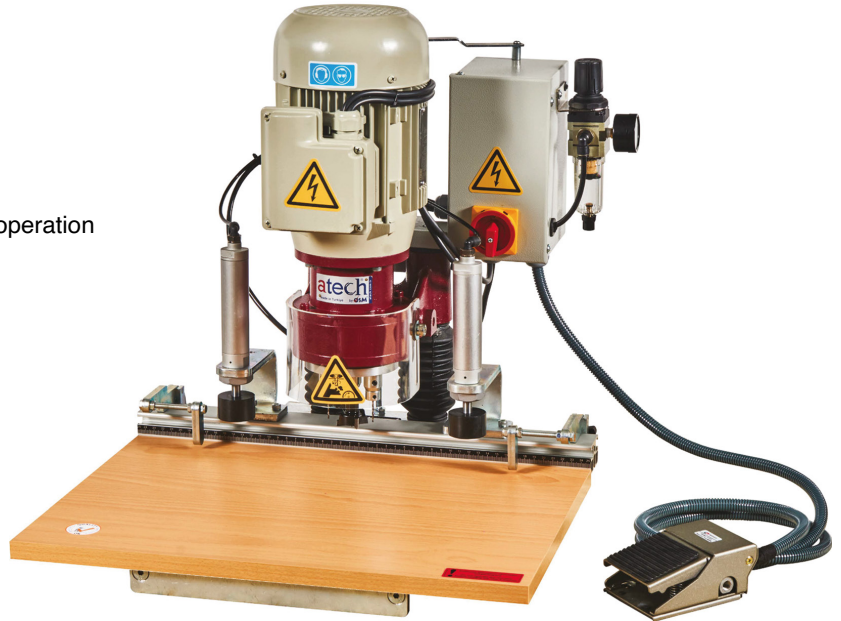


HINGE SLOT MILLING MACHINE FOR WOOD - AUTOMATIC

LUNA - 2

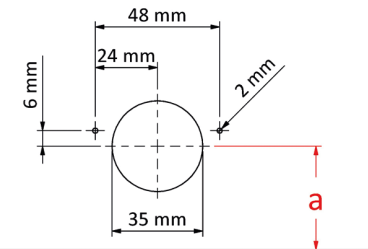
»» General Features

- 2 pcs. user friendly material support
- User friendly adjustable depth distance
- Adjustable and extendable fence profile system
- Opens reference holes for screwing during milling operation
- Compressed air cleaning of saw dust

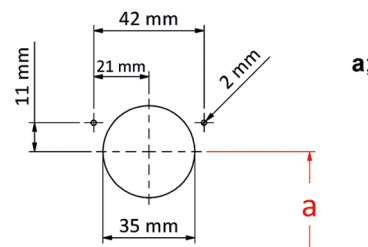


✓ Standard

- 1 pc. Hinge milling drill bit
- 2 pcs. drill bits



MOVING MITER



MOVING MITER

a; min = 24,5 mm
max = 54,5 mm



»» Technical Table

Motor	Packing Size	Machine Size	Machine Kg
0,55 kW 230 V, 50 Hz	W x L x H (cm) 55x55x55 cm	W x L x H (cm) 55x50x55 cm	33

